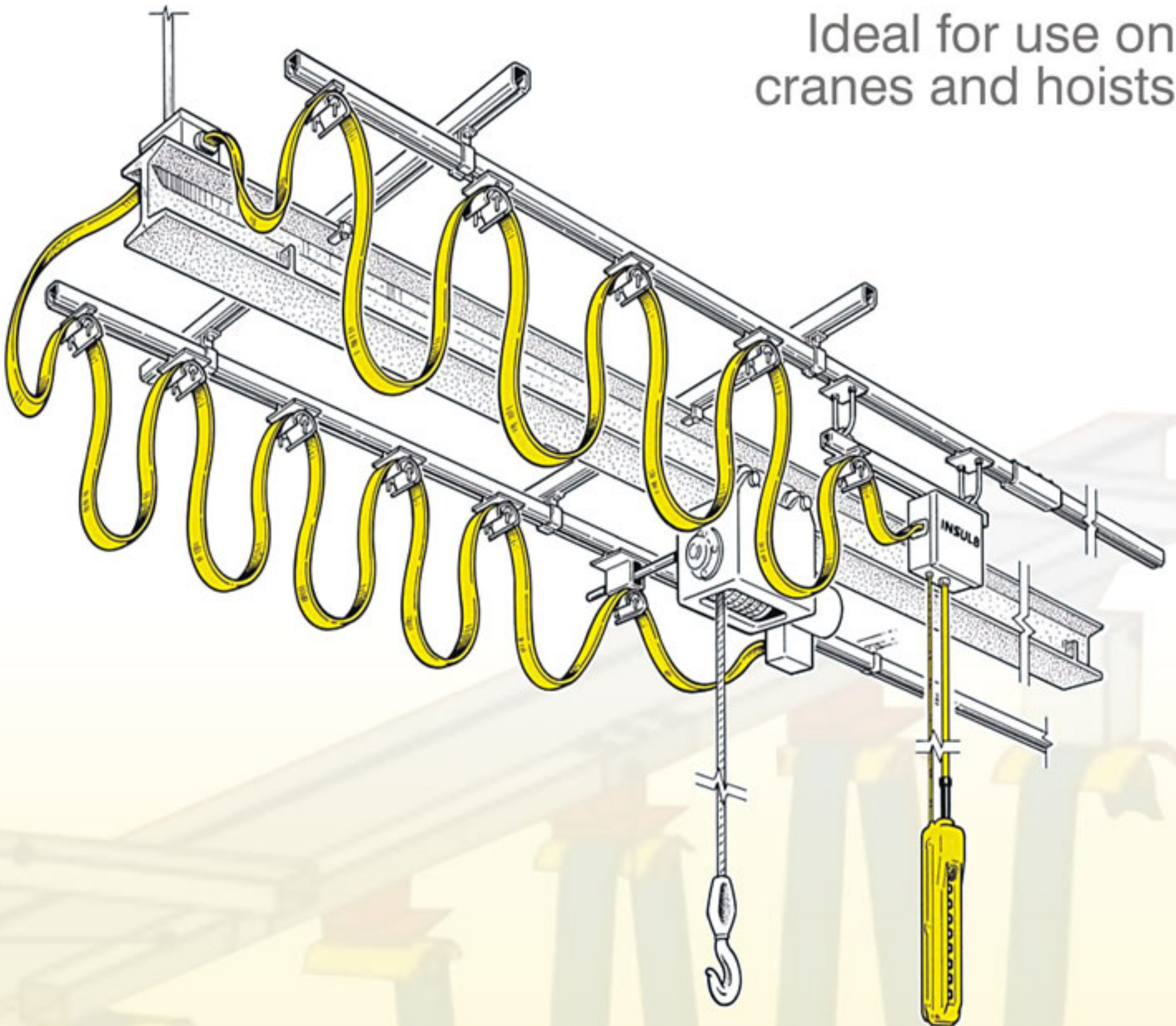


**SafePower**

# C-Rail Festoon System

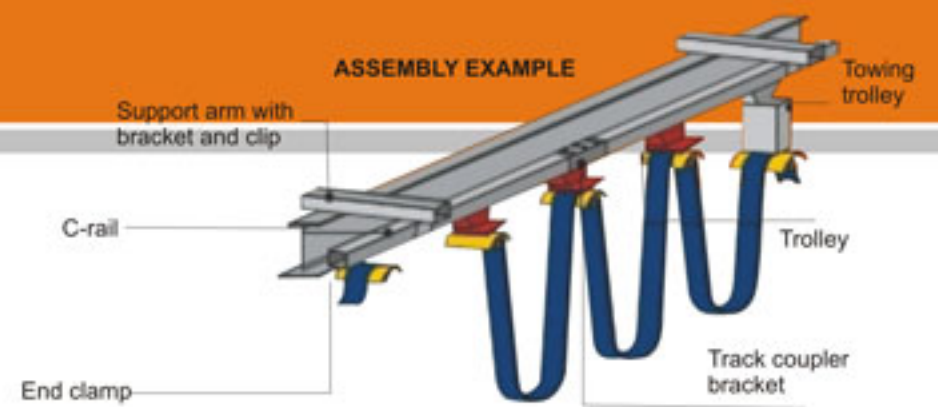
For Round or Flat Cable

Ideal for use on  
cranes and hoists

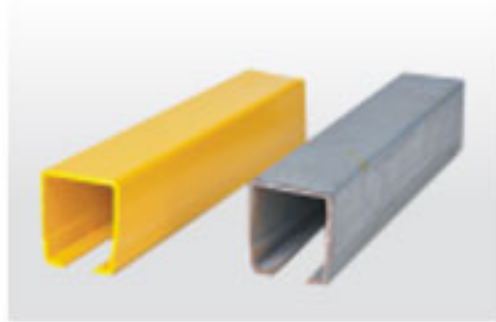


**G** Ganesh  
INDUSTRIES





## C-Rails & Accessories



**C-Rail Bars**  
 Material: Galvanized Steel / Powder Coated  
 Length: 3 mtr.  
 Weight: 3.550 kg  
 Load capacity: 100 kg - 200 Kg./ Mtr.



**End Stop**  
 Material: MS Steel



**Track Support Bracket**  
 (1 piece)  
 Material: MS Steel  
 Max support spacing: 1 mtr. (Recommended)



**Flat Cable Trolley**  
 Material: MS Steel  
 Type of roller: steel rollers or ball bearings.



**Track Coupler Bracket**  
 To join c-rails and suitable for supporting the track  
 Material: MS Steel



**Towing Trolley**  
 Material: MS Steel  
 Type of roller: steel rollers or ball bearings.

**Safe Power C-RAIL FESTOON SYSTEMS** are a clean, economical and efficient method of managing power and control cables for mobile equipments.

**FESTOON SYSTEMS** are generally used on overhead cranes for the transmission of power and control signals for cross bridge trolley travel, but they can also be applied to crane runway travel, transfer cars, monorails, refuse cranes, waste water treatment machines, Industrial Cranes & Hoists, Machine Tools, Maintenance Equipment, Production/Assembly/Process Lines, Stacker/Retriever Cranes, High Acceleration/Curves/Heavy Duty, Etc.

**Ganesh Industries** offers a comprehensive line of festoon products, ranging from simplest of systems running on stretched wire rope to the complex, high speed demands of portal and container cranes. Safe Power's festoon systems run on wire rope, c-track, square bar and I-Beams, with trolleys able to support static loads up to 100 Kg. to 200 Kg. with Heavy-Duty festoon systems. Safe Power festoon systems are designed to support and protect flat and round electrical cables. Our systems can operate in indoor and outdoor environments and can also be designed for harsh, aggressive environments. Outstanding Features: **Durability, Versatility, Safety & Ease of Operation**

## Applications



Crane



Hoist & Crab



Monorail



Refuse Crane



Effective Work Area



Aji, GIDC, B/h. Melt Tech, Road No. Q1, Shed No. K1-243/11, Rajkot 360 003  
 Phone : +91 281 2389285 Fax : +91 281 2385381 Mob : + 91 98252 16374 + 91 98795 64445  
 email ids : [info@festoonsystem.co.in](mailto:info@festoonsystem.co.in) [festoonsystem@gmail.com](mailto:festoonsystem@gmail.com) <http://www.festoonsystem.co.in>