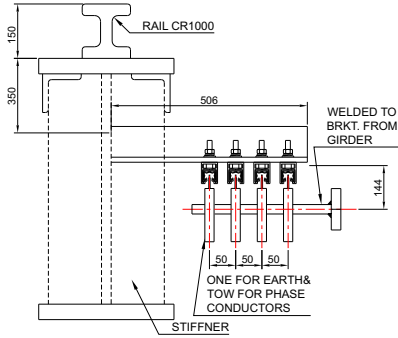
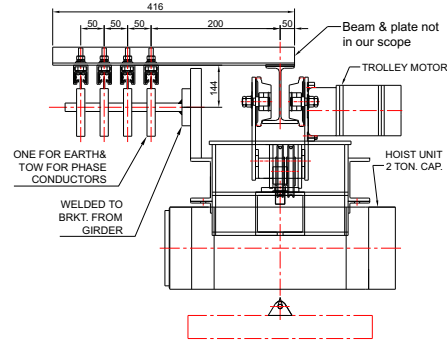


Unipole Insuated Conductor Bar System (Pin Joint)

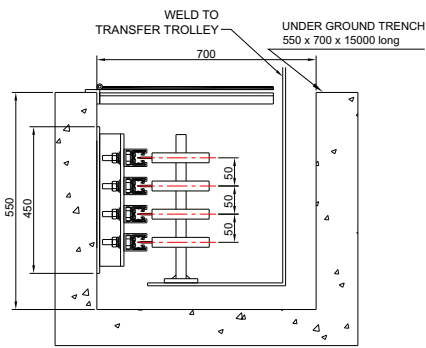
TYPICAL INSTALLATION



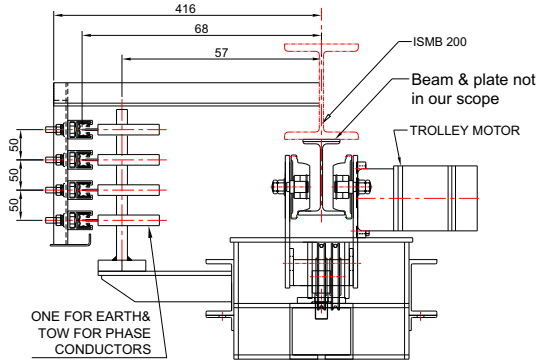
Safe Power - M General Arrangement



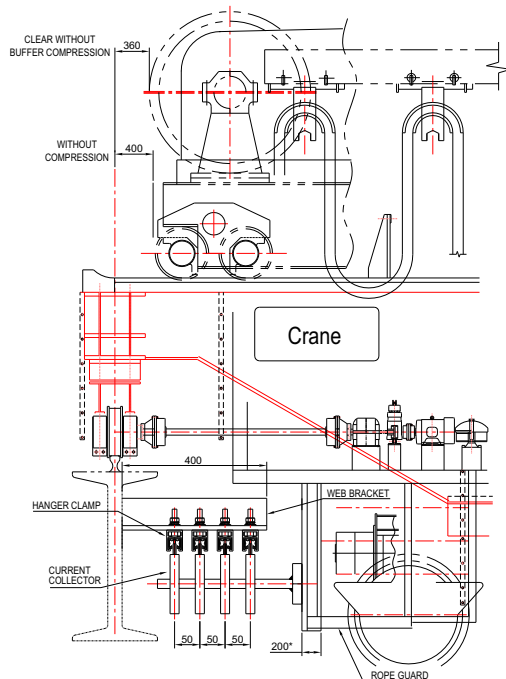
Safe Power - M General Arrangement



Safe Power - M General Arrangement



Safe Power - M General Arrangement



Safe Power - M General Arrangement

- Single Pole individually insulated conductor
- Pin Joint arrangement
60, 100, 125, Amps G. I.
Amps Copper